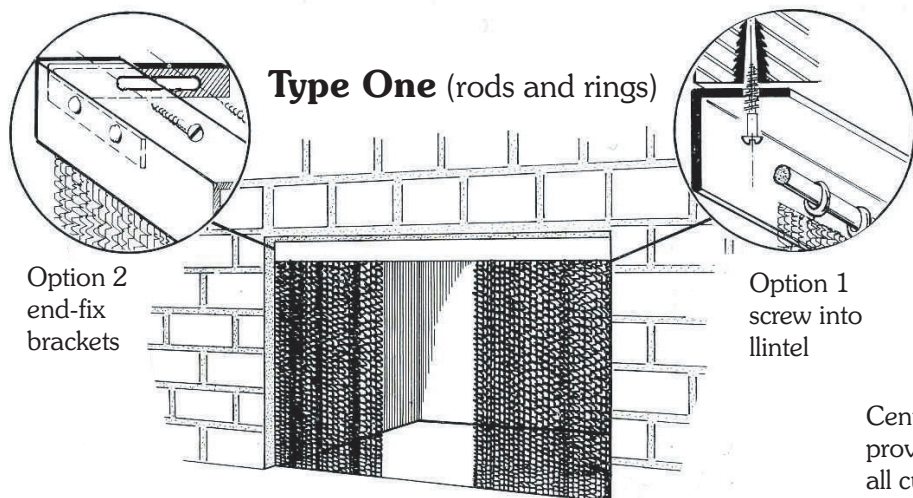


# A&M Mesh Spark Curtains

We manufacture Spark Curtains to suit all fireplaces, inglenooks, canopies, hoods etc. Available in 19 gauge mesh in black, brass or stainless steel. They are supplied complete with a 40mm x 40mm (1.5") pelmet/lintel bar to match the colour of the mesh. Included in the quoted price are one and a half times the width of the fireplace opening in mesh to give a good drape, together with an overlap in the middle, plus all fixtures and fittings.

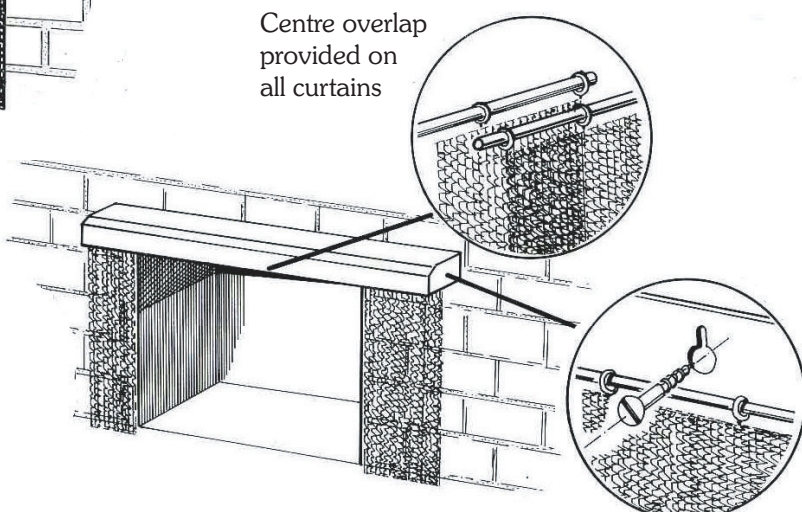


**Type One** (rods and rings)

**Made to Measure**  
**Easy to Install**  
**Any Size**

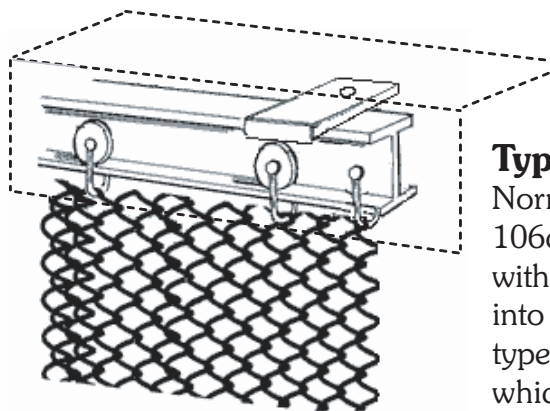
## **Type Two**

Surface mounted pelmet to enable curtains to be drawn clear of the opening where the curtains would limit the view of the fire (surface mounted pelmets are charged extra)



Centre overlap provided on all curtains

Option 3  
Keyhole fix



## **Type Three**

Normally supplied for any fireplace opening in excess of 106cm (42") They consist of an "I" section aluminium rail with wheels which enable the rail to be bent round corners into inglenooks, pelmets or hoods. As with other curtains, type three comes mounted on a 40 x 40mm pelmet/lintel bar which can be fixed by most of the quoted options (see over)

**Side Returns** - for inglenooks, canopies etc. type three can be turned on a 75mm (3") radius to enable the curtains to be stored out of sight down the insides of the fireplace opening when not in use.

Note: 300mm (12") of our mesh will occupy 30mm (1") of rail space each side when stored in the open position, however, do not forget that we supply one a half times the opening width and include this in your calculations.

## Fixing Options

**Option One** - Upfix - Where the pelmet/lintel bar can be fixed up into the lintel of the fireplace. Be careful to check this does not mean drilling through steel.

**Option Two** - End Brackets - This is a better solution where the fireplace lintel is made of steel or concrete. We provide long slotted brackets which project into the fireplace side walls OR downwards where the brackets will be hidden by the curtains.

**Option Three** - Keyhole Fit - Normally only recommended with pelmets (type two) but can be supplied if specified.

**Option Four** - Front Fix - Where the spark curtain pelmet can be fitted behind the fireplace lintel. We require 50mm clear across the width of the opening to accommodate this.

**Option Five** - Specials - We can supply the aluminium rail with brackets for fixing direct to circular hoods or where our 40 x 40mm pelmet is not required.

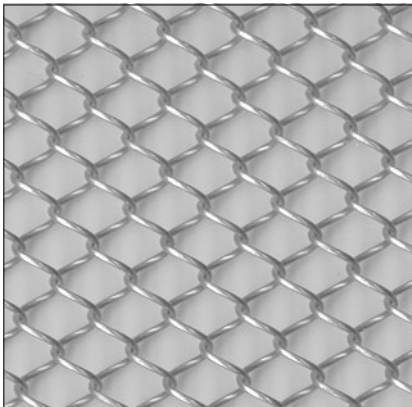
## Interior Design

**We also supply our mesh for use as room dividers,  
curtains for doorways, around kitchen stoves etc.  
Please ask for a quotation**

## Ordering information

Please provide actual width and height, ie. do not make any allowances as we do this when cutting the mesh. If side returns are required on the inside edges of the fireplace we need to know if the inside walls go straight back or return at an angle and we also need the depth of the fireplace from front to back.

As with fabric curtains we allow one and a half times the width of the fireplace opening in actual mesh supplied. There is also a 75mm (3") overlap at the centre.



We can give advice, quotes and prices by telephone, fax or email, together with delivery dates and can supply customers in other countries with a quoted carriage price

### **A&M Energy Fires**

Pool House, Huntley, Gloucestershire GL19 3DZ

Tel 01452 830662 Fax 01452 830891

email [info@sparkcurtains.co.uk](mailto:info@sparkcurtains.co.uk)

[www.energyfires.co.uk](http://www.energyfires.co.uk)