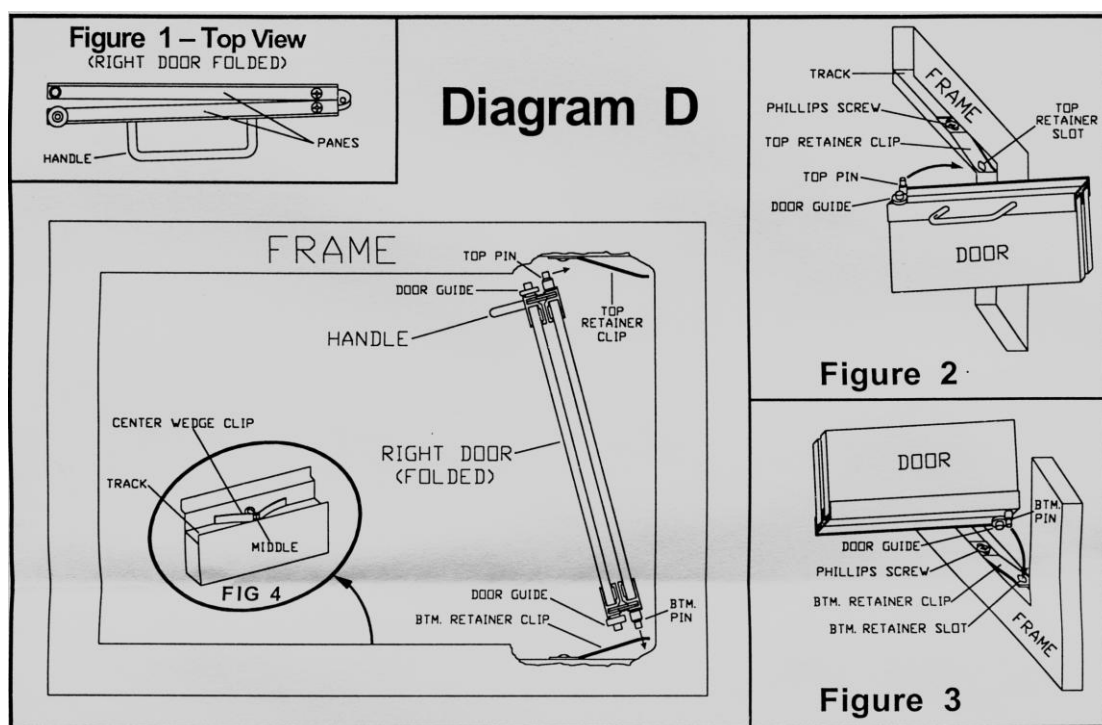


Fitting Instructions

The Doors are supplied with four “L” shaped brackets and four anchor bolts. These brackets are attached to the back of the doors by the four 10mm headed bolts already in the frame. Undo the bolts and attach the L Brackets, one in each corner of the frame. Fit the door against the fireplace opening and either locate the brackets up into the lintel or into the side walls at the top and either the hearth or side walls at the bottom.

Once you have decided the best location for the brackets you need to drill a 6.5mm hole for the anchor bolts. Fit the yellow fibre glass wool round the back of the frame if required to improve the seal on rough surrounds and then tighten the four bolts.

Fitting the doors into the frame



Insert the doors as per the diagram above. Please be sure to fit the frame square and vertical as this will improve the opening and closing of the doors. If you have any queries with regards to fitting please phone us. 01452 830662.

Tip* You can bend the L brackets to different shapes if require to make a good fit.

Adjusting the doors

If you find that your doors are out of line due to transit, then you can adjust them by following these instructions. If you open the door back you will see in the runner channel a screw and flat spring, top and bottom these can be adjusted either left or right top and bottom to move the doors left and right as required to close the gaps between the doors. If the tops are out of line then you can tap the glass channel either up or down to align them using a piece of wood or something that will not mark the glass or glass edging.